

## Nebenabtrieb Elektrische oder pneumatische Ansteuerung

## Prises de force commande électro-hydraulique

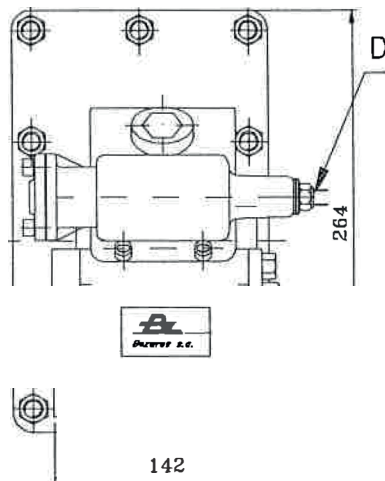


## SCANIA GR 870, GR 871, 6100 (270045)

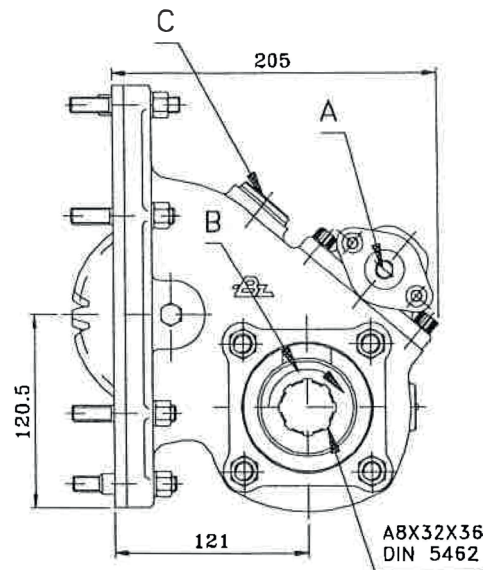
### LATERAL / SIDE MOUNT.

Dimensiones principales:

Main Dimensions:



Sentido de marcha  
Running way



VISTA POR DETRAS  
BACK VIEW

### NOTAS / NOTES

- A.- Toma de aire, rosca 1/4" GAS.
- B.- Sentido de giro.
- C.- Tapón de comprobación juego de engranes.
- D.- Interruptor de funcionamiento.

- A.- Air connection, thread M12x1.5
- B.- Pump rotation.
- C.- Backlash check plug.
- D.- Passing contact swicht.

### DATOS PRINCIPALES / MAIN DATA

Par nominal / Torque (Nm) :

◆ Continuo / Continuous

◆ Intermitente / Intermitent.

Potencia (CV) a 1000r.p.m. / Power (HP) 1000r.p.m.

Peso / Weight (Kg)

Lado de montaje / Mounting side

Sentido de giro de la bomba / Pump rotation.

Relación motor-toma de fuerza / Engine to PTO ratio.

350

490

50

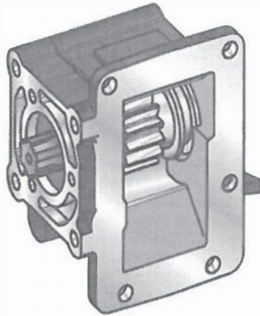
16.3

**DERECHO / RIGHT**

**IZQUIERDO / LEFT HAND**

**1: 1,3 45**

## 18G3 - PTO LAT L.D. MITSUBISHI MO 3555 (270079)



### POSSIBLE SOLUTIONS

P

18G3

XX

Y

ZZZ

Outlet version

Available option

Control option

Model

PTO

---

### TEC. SPECIFICATIONS

	<b>Outlet 1</b>	
<b>Torque (NM)</b>	180	<b>Replaces</b>
<b>Int. Ratio</b>	1,00	<b>Replaced by</b>
<b>Teeth number</b>	15	

---

### CONTROL TYPE HYDROCAR

<input checked="" type="checkbox"/> Electric	<input type="checkbox"/> Hydraulic	<input checked="" type="checkbox"/> Mechanic	<input type="checkbox"/> Fixed engagement	<input checked="" type="checkbox"/> Pneumatic	<input checked="" type="checkbox"/> Vacuum system
--	------------------------------------	--	---	---	---

---

### CONTROL VERSIONS (XX)

Type	82z1	Description
E	1	#Comando 12 Volt
E	2	#Comando 24 Volt
E	3	#Comando Solenoide Rinf12V
E	4	#Comando Solenoide Rinf24V
E	5	#Com. El.KES5E 12V PLAST.
E	6	#Com. El.KES5E 24V PLAST.
E	7	# Com. El.KES5E 12V ZAMA
E	8	#Com. El.KES5E 24V ZAMA
E	9	ECO150 12V.
M	2	#Comando per cavo I20
M	3	#Comando per cavo TXZ
P	1	#Comando Pneum.1/8"GAS
H	1	#Comando a depressione

---

### AVAILABLE OPTIONS (Y)

82z1	Description	Lubr. Kit	Switch Kit	Reinforced
1	#Tappo ispezione			
3	#Con Interruttore MERIT		194KSP17000	
4	#Con Interruttore TDS		194KSP28000	

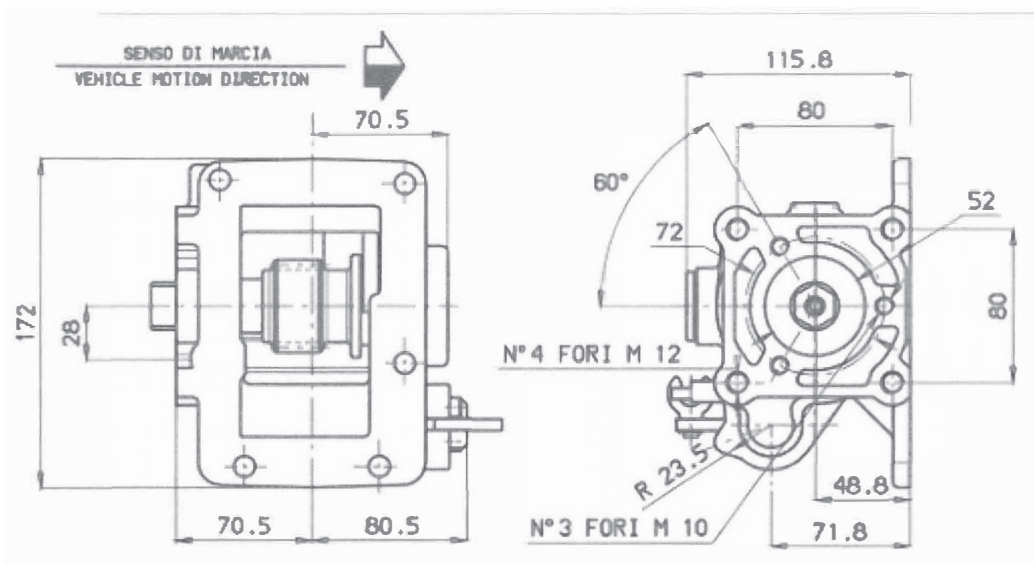
---

### OUTLET VERSIONS (ZZZ)

Description	Description
201	3-HOLE PUMP REAR UNI
204	Pump drive SE 4-Bolts
501	FL SPICER 1120 REAR SIDE
Description	
503	FL SPICER 1300 REAR SIDE
511	FL DIN10 REAR SIDE
512	FL DIN00 REAR SIDE

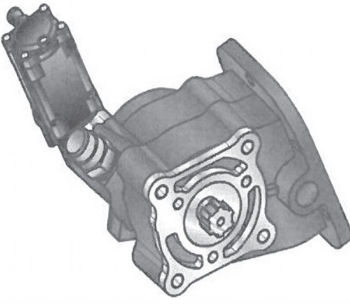
## 18G3 - PTO LAT L.D. MITSUBISHI MO 3555 (270079)

Pneumatic/Mechanic					
Mechanic/Pneumatic					
Electric control					
<b>Flange kit</b>					
82z1	Description				
197KFL01000	SPICER 1120 21UNI222				
197KFL03000	SPICER 1300 21UNI222				
197KFL11000	DIN10 21UNI222				
197KFL12000	DIN00 21UNI222				
<b>Switch kit</b>					
82z1	Description				
194KSP09000	Sipea 7820				
194KSP17000	DIN 2.5 M16x1.5 N.O.				
194KSP28000	#TDS M16x1.5 N.O.				
<b>Bracket kit</b>					
82z1	Description				
190ST0018G0	#Cavo 120 su serie 18				
190ST0018T0	#Cavo TXZ su serie 18				
<b>ELECTRIC KITS</b>					
82z1	Description				
194KE063000	ELECTRIC KIT 12V FOR VACUUM PTO CONTROL				
194KE064000	ELECTRIC KIT 24V FOR VACUUM PTO CONTROL				
<b>MATCHINGS</b>					
Brand	Range	Model	1st Gear ratio	Outlet	Application
MITSUBISHI		M035 S5	5,38	Left	M2
MITSUBISHI		M035 S6	5,52	Left	M2
MITSUBISHI		M036 S5	0,00	Left	M4
MITSUBISHI		M036 S6	0,00	Left	M4



## 20Z1 - PTO LAT L.D. 7.F S5-200 (270095)

**POSSIBLE SOLUTIONS**



P

20Z1

XX

Y

ZZZ

Outlet version

Available option

Control option

Model

PTO

**TEC. SPECIFICATIONS**

<b>Torque (NM)</b>	<b>Outlet 1</b> 120	<b>Replaces</b>
<b>Int. Ratio</b>	1,27	<b>Replaced by</b>
<b>Teeth number</b>	33	

**CONTROL TYPE HYDROCAR**

<input checked="" type="checkbox"/> Electric	Hydraulic	<input checked="" type="checkbox"/> Mechanic	Fixed engagement	<input checked="" type="checkbox"/> Pneumatic	Vacuum system
--	-----------	--	------------------	---	---------------

**CONTROL VERSIONS (XX)**

Type	82z1	Description
E	1	#Comando El. KES 14 (RVI)
E	2	#Comando El. KES 13 IVECO
E	5	#Com. El.KES5E 12V PLAST.
E	6	#Com. El.KES5E 24V PLAST.
E	7	#Com. El.KES5E 12V ZAMA
E	8	#Com. El.KES5E 24V ZAMA
E	9	ECO150 12V.
M	2	#Comando Meccanico per I20
M	3	#Comando Meccanico per TXZ
M	4	#Comando Mecc. corsa corta
M	5	#Com. Mecc. corsa corta R
M	6	#Com. Mecc. TXZ rovesciato
P	1	#Comando Pneum. 1/8"GAS

**AVAILABLE OPTIONS (Y)**

82z1	Description	Lubr. Kit	Switch Kit	Reinforced
1	#Tappo ispezione			
3	#Con Int. MERIT+cop.protez		194KSP17000	
4	#Con Interruttore TDS		194KSP28000	
5	#Con Int. MERIT senza cop.		194KSP17000	
8	#MERIT+cop.prot+alb.z=10		194KSP17000	

**OUTLET VERSIONS (ZZZ)**

82z1	Description
201	3-HOLE PUMP REAR UNI

## 20Z1 - PTO LAT L.D. Z.F S5-200 (270095)

### OUTLET VERSIONS (ZZZ)

82z1	Description
204	Pump drive SE 4-Bolts
501	FL SPICER 1120 REAR SIDE
503	FL SPICER 1300 REAR SIDE
511	FL DIN10 REAR SIDE
512	FL DIN00 REAR SIDE

### Conversion kit

Pneumatic/Mechanic  
Mechanic/Pneumatic  
Electric control

#DIN 5462 (SE) da UNI

606X01K0000

### Flange kit

82z1	Description
197KFL01000	SPICER 1120 21UNI222
197KFL03000	SPICER 1300 21UNI222
197KFL11000	DIN10 21UNI222
197KFL12000	DIN00 21UNI222

### Switch kit

82z1	Description
194KSP17000	DIN 2.5 M16x1.5 N.O.
194KSP28000	#TDS M16x1.5 N.O.

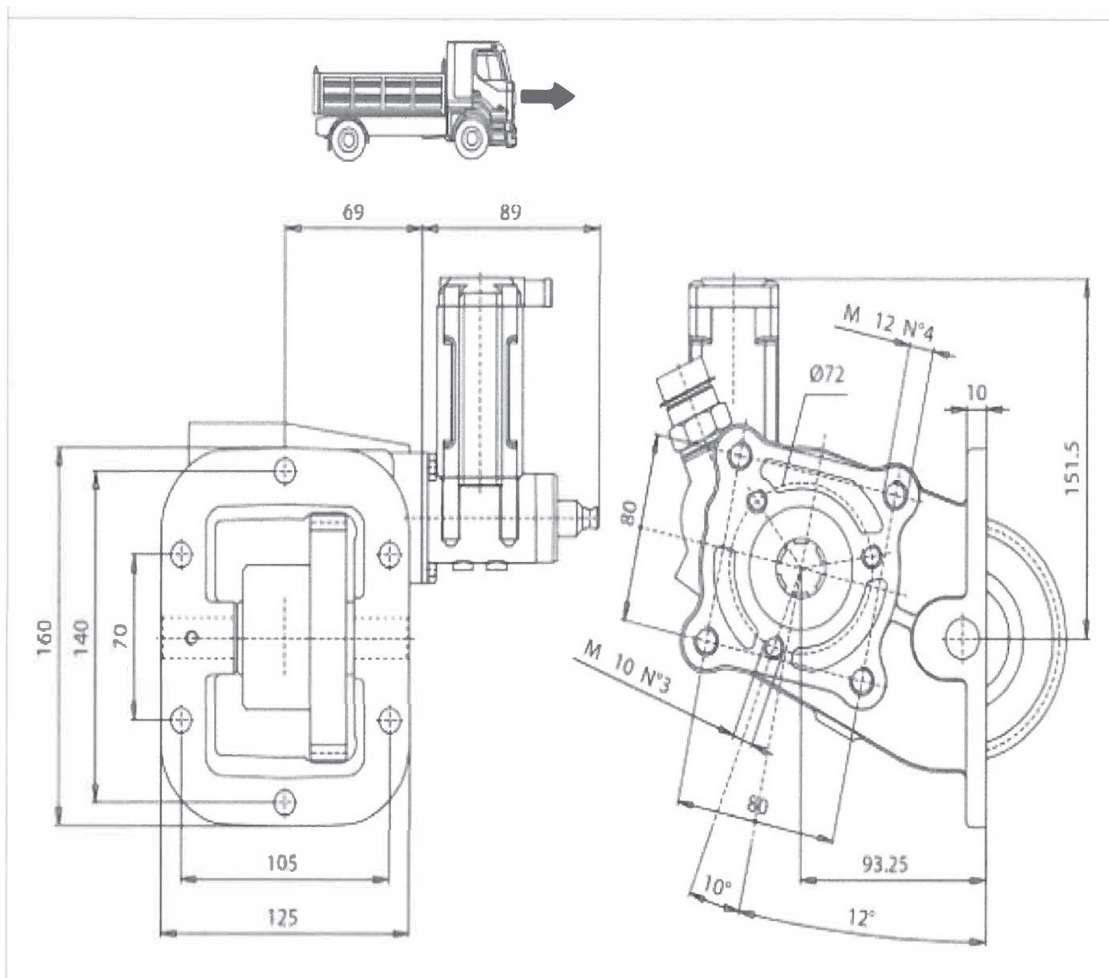
### Bracket kit

82z1	Description
190ST0020G1	#Cavo I21 su serie 20
190ST0020T0	Remote control TXZ I20

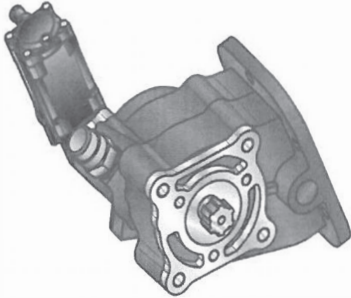


## 20Z1 - PTO LAT L.D. Z.F S5-200 (270095)

MATCHINGS					
Brand	Range	Model	1st Gear ratio	Outlet	Application
IVECO		2825.5	4,99	Left	Z1
IVECO		2830.5	4,99	Left	Z1
Z.F.		5 S 200	4,99	Left	Z1
Z.F.	ECOLITE	5 S 270 (SX)	4,99	Left	Z1
Z.F.	ECOLITE	5 S 300 (SX)	4,99	Left	Z1



## 20Z2 - PTO LAT L.D. Z.F S6-300 (270099)

POSSIBLE SOLUTIONS				
	<div style="display: flex; justify-content: space-around; align-items: flex-start;"> <div style="border: 1px solid black; padding: 2px; margin: 2px;">P</div> <div style="border: 1px solid black; padding: 2px; margin: 2px;">20Z2</div> <div style="border: 1px solid black; padding: 2px; margin: 2px;">XX</div> <div style="border: 1px solid black; padding: 2px; margin: 2px;">Y</div> <div style="border: 1px solid black; padding: 2px; margin: 2px;">ZZZ</div> </div> <p style="margin-left: 400px;">             Outlet version              Available option              Control option              Model              PTO         </p>			
TEC. SPECIFICATIONS				
<b>Torque (NM)</b>	<b>Outlet 1</b> 180			
<b>Int. Ratio</b>	1,27			
<b>Teeth number</b>	28			
<b>Replaces</b>				
<b>Replaced by</b>				
CONTROL TYPE HYDROCAR				
<input checked="" type="checkbox"/> Electric	Hydraulic			
<input checked="" type="checkbox"/> Mechanical	Fixed engagement			
<input checked="" type="checkbox"/> Pneumatic	Vacuum system			
CONTROL VERSIONS (XX)				
Type	82z1			
	Description			
E	1 #Comando El. KES 14 (RVI)			
E	2 #Comando El. KES 13 IVECO			
E	5 #Com. El.KES5E 12V PLAST.			
E	6 #Com. El.KES5E 24V PLAST.			
E	7 #Com. El.KES5E 12V ZAMA			
E	8 #Com. El.KES5E 24V ZAMA			
E	9 ECO150 12V.			
M	2 #Comando Meccanico per I20			
M	3 #Comando Meccanico per TXZ			
M	4 #Comando Mecc. corsa corta			
M	5 #Com. Mecc. corsa corta R			
M	6 #Com. Mecc. TXZ rovesciato			
P	1 #Comando Pneum. 1/8"GAS			
AVAILABLE OPTIONS (Y)				
82z1	Description	Lubr. Kit	Switch Kit	Reinforced
1	#Tappo ispezione			
3	#Con Int. MERIT+cop.protez		194KSP17000	
4	#Con Interruttore TDS		194KSP28000	
5	#Con int. MERIT senza cop.		194KSP17000	
8	#MERIT+cop.prot+alb.z=10		194KSP17000	
OUTLET VERSIONS (ZZZ)				
82z1	Description			
201	3-HOLE PUMP REAR UNI			



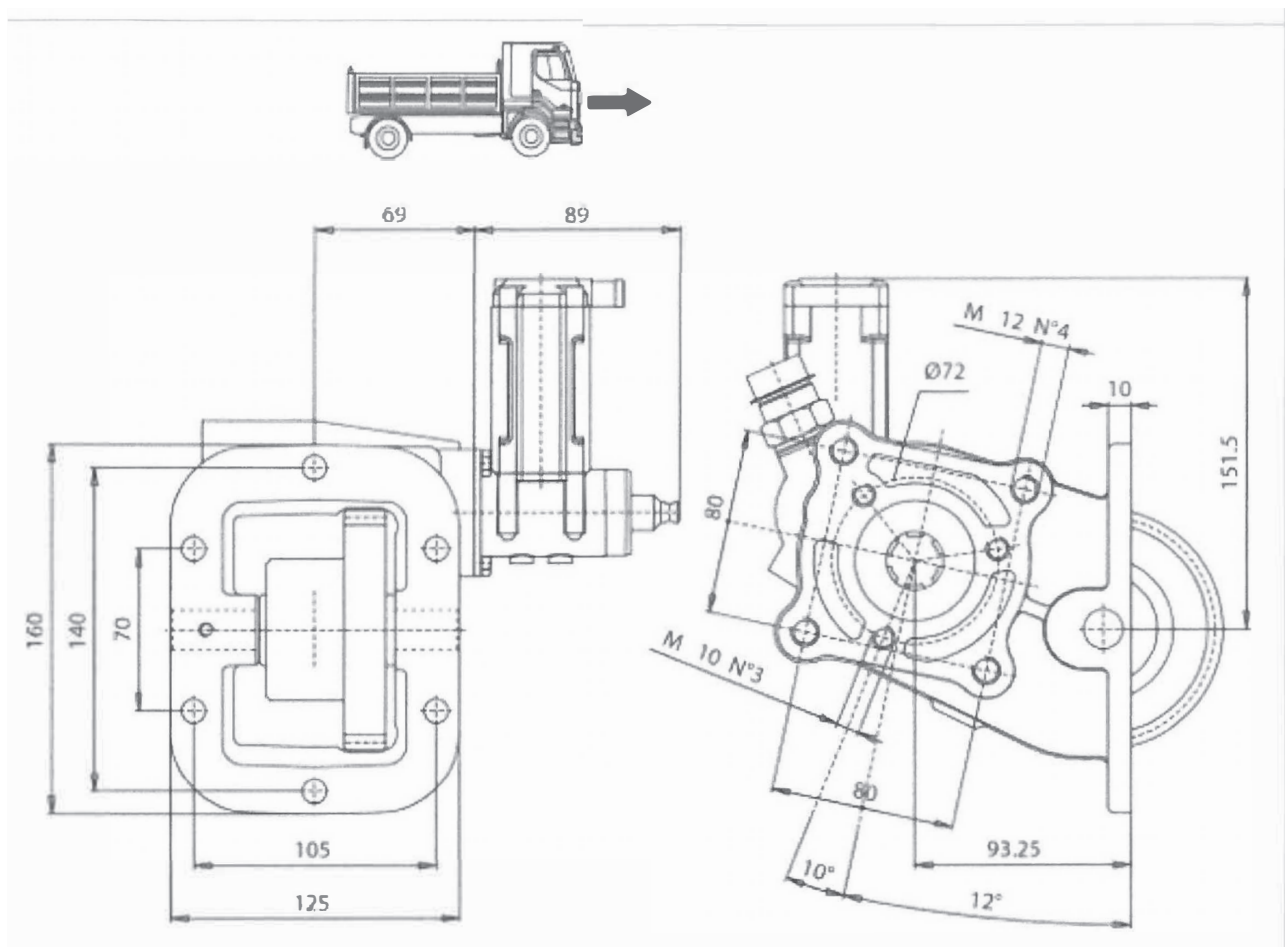
## 20Z2 - PTO LAT L.D. Z.F S6-300 (270099)

OUTLET VERSIONS (ZZZ)	
82z1	Description
204	Pump drive SE 4-Bolts
501	FL SPICER 1120 REAR SIDE
503	FL SPICER 1300 REAR SIDE
511	FL DIN10 REAR SIDE
512	FL DIN00 REAR SIDE

Conversion kit		
Pneumatic/Mechanic Mechanic/Pneumatic Electric control	#DIN 5462 (SE) da UNI	606X01K0000
Flange kit		
82z1	Description	
197KFL01000	SPICER 1120 21UNI222	
197KFL03000	SPICER 1300 21UNI222	
197KFL11000	DIN10 21UNI222	
197KFL12000	DIN00 21UNI222	
Switch kit		
82z1	Description	
194KSP17000	DIN 2.5 M16x1.5 N.O.	
194KSP28000	#TDS M16x1.5 N.O.	
Bracket kit		
82z1	Description	
190ST0020G1	#Cavo I21 su serie 20	
190ST0020T0	Remote control TXZ I20	

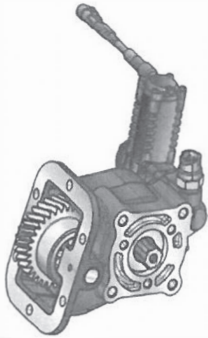
## 20Z2 - PTO LAT L.D. Z.F S6-300 (270099)

MATCHINGS					
Brand	Range	Model	1st Gear ratio	Outlet	Application
IVECO		2832.6	0,00	Left	Z1
IVECO		2833.6	0,00	Left	Z1
Z.F.		6 S 300	6,70	Left	Z1
Z.F.	ECOLITE	6 AS 300 VD	6,70	Left	Z1



## 22Z2 - PTO LAT L.D. Z.F S6-350 (270116)

**POSSIBLE SOLUTIONS**



P

22Z2

XX

Y

ZZZ

Outlet version

Available option

Control option

Model

PTO

**TEC. SPECIFICATIONS**

<b>Torque (NM)</b>	180	<b>Replaces</b>
<b>Int. Ratio</b>	1,43	<b>Replaced by</b>
<b>Teeth number</b>	30	

**CONTROL TYPE HYDROCAR**

<input checked="" type="checkbox"/> Electric	Hydraulic	<input checked="" type="checkbox"/> Mechanic	Fixed engagement	<input checked="" type="checkbox"/> Pneumatic	Vacuum system
--	-----------	--	------------------	---	---------------

**CONTROL VERSIONS (XX)**

Type	82z1	Description
E	1	#Comando El. KES40
E	5	#Com. El.KES5E 12V PLAST.
E	6	#Com. El.KES5E 24V PLAST.
E	7	#Com. El.KES5E 12V ZAMA
E	8	#Com. El.KES5E 24V ZAMA
E	9	ECO150 12V.
M	2	#Comando Meccanico per I20
M	3	#Comando Meccanico per TXZ
P	1	#Comando Pneum. 1/8"GAS

**AVAILABLE OPTIONS (Y)**

82z1	Description	Lubr. Kit	Switch Kit	Reinforced
1	#Tappo ispezione			
3	#Con Inter. MERIT+cop.prot		194KSP17000	
4	#Con Interruttore TDS		194KSP28000	

**OUTLET VERSIONS (ZZZ)**

82z1	Description
201	3-HOLE PUMP REAR UNI
204	Pump drive SE 4-Bolts
501	FL SPICER 1120 REAR SIDE
503	FL SPICER 1300 REAR SIDE
511	FL DIN10 REAR SIDE
512	FL DIN00 REAR SIDE

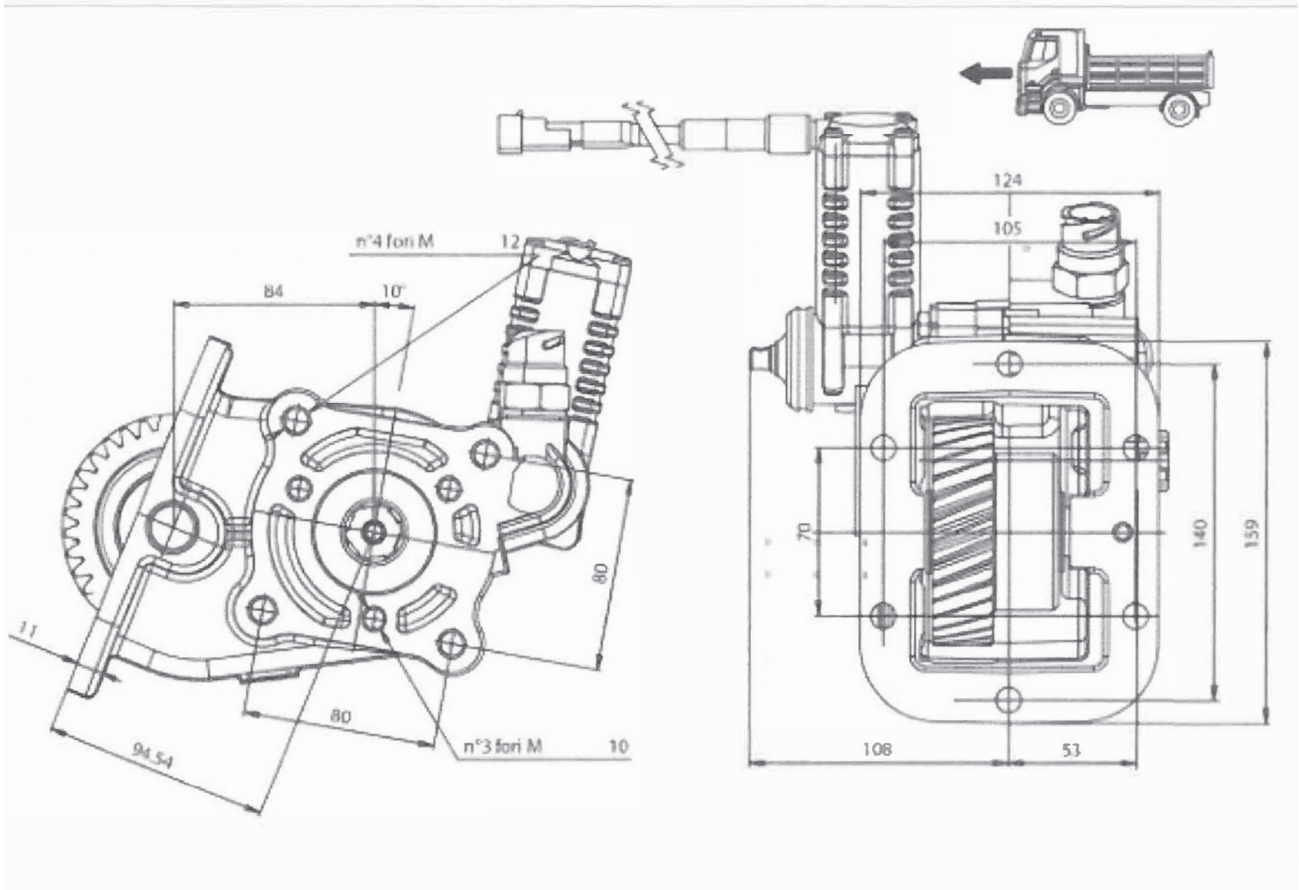
Heizmann AG | Neumattstrasse 8 | CH-5000 Aarau | T +41 62 834 06 06 | info@heizmann.ch | www.heizmann.ch

## 22Z2 - PTO LAT L.D. Z.F S6-350 (270116)

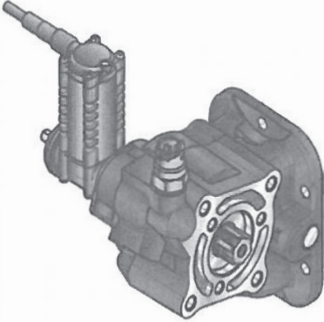
<b>Conversion kit</b>	
Pneumatic/Mechanic Mechanic/Pneumatic Electric control	#DIN 5462 (SE) da UNI 606X01K0000
<b>Flange kit</b>	
82z1	Description
197KFL01000	SPICER 1120 21UNI222
197KFL03000	SPICER 1300 21UNI222
197KFL11000	DIN10 21UNI222
197KFL12000	DIN00 21UNI222
<b>Switch kit</b>	
82z1	Description
194KSP17000	DIN 2.5 M16x1.5 N.O.
194KSP28000	#TDS M16x1.5 N.O.
<b>Bracket kit</b>	
82z1	Description
190ST0022T0	#Cavo I20 su serie 22

<b>MATCHINGS</b>					
Brand	Range	Model	1st Gear ratio	Outlet	Application
Z.F.	ECOLITE	6 S 350 VD	6,70	Right	Z1

## 22Z2 - PTO LAT L.D. Z.F S6-350 (270116)



## 23Z2 - PTO LAT L.D. Z.F S6-380 VO (270125)



### POSSIBLE SOLUTIONS

P

23Z2

XX

Y

ZZZ

Outlet version

Available option

Control option

Model

PTO

---

### TEC. SPECIFICATIONS

	<b>Outlet 1</b>	
<b>Torque (NM)</b>	180	<b>Replaces</b>
<b>Int. Ratio</b>	1,45	<b>Replaced by</b>
<b>Teeth number</b>	32	

---

### CONTROL TYPE HYDROCAR

<input checked="" type="checkbox"/> Electric	Hydraulic	<input checked="" type="checkbox"/> Mechanic	Fixed engagement	<input checked="" type="checkbox"/> Pneumatic	Vacuum system
--	-----------	--	------------------	---	---------------

---

### CONTROL VERSIONS (XX)

Type	82z1	Description
E	2	#Comando El. KES 13 IVECO
E	5	#Com. El.KES5E 12V PLAST.
E	6	#Com. El.KES5E 24V PLAST.
E	7	#Com. El.KES5E 12V ZAMA
E	8	#Com. El.KES5E 24V ZAMA
E	9	ECO150 12V.
M	3	#Comando Meccanico per TXZ
P	1	#Comando Pneum. 1/8"GAS

---

### AVAILABLE OPTIONS (Y)

82z1	Description	Lubr. Kit	Switch Kit	Reinforced
1	#Tappo ispezione			
2	#MERIT+cop.protez. x Daily 4x4			
3	#Con Int. MERIT+cop.protez		194KSP17000	
4	#Con Interruttore TDS		194KSP28000	
5	#Con Int. MERIT senza cop.		194KSP17000	

---

### OUTLET VERSIONS (ZZZ)

82z1	Description
201	3-HOLE PUMP REAR UNI
204	Pump drive SE 4-Bolts
501	FL SPICER 1120 REAR SIDE
503	FL SPICER 1300 REAR SIDE
511	FL DIN10 REAR SIDE
512	FL DIN00 REAR SIDE

Heizmann AG | Neumattstrasse 8 | CH-5000 Aarau | T +41 62 834 06 06 | info@heizmann.ch | www.heizmann.ch

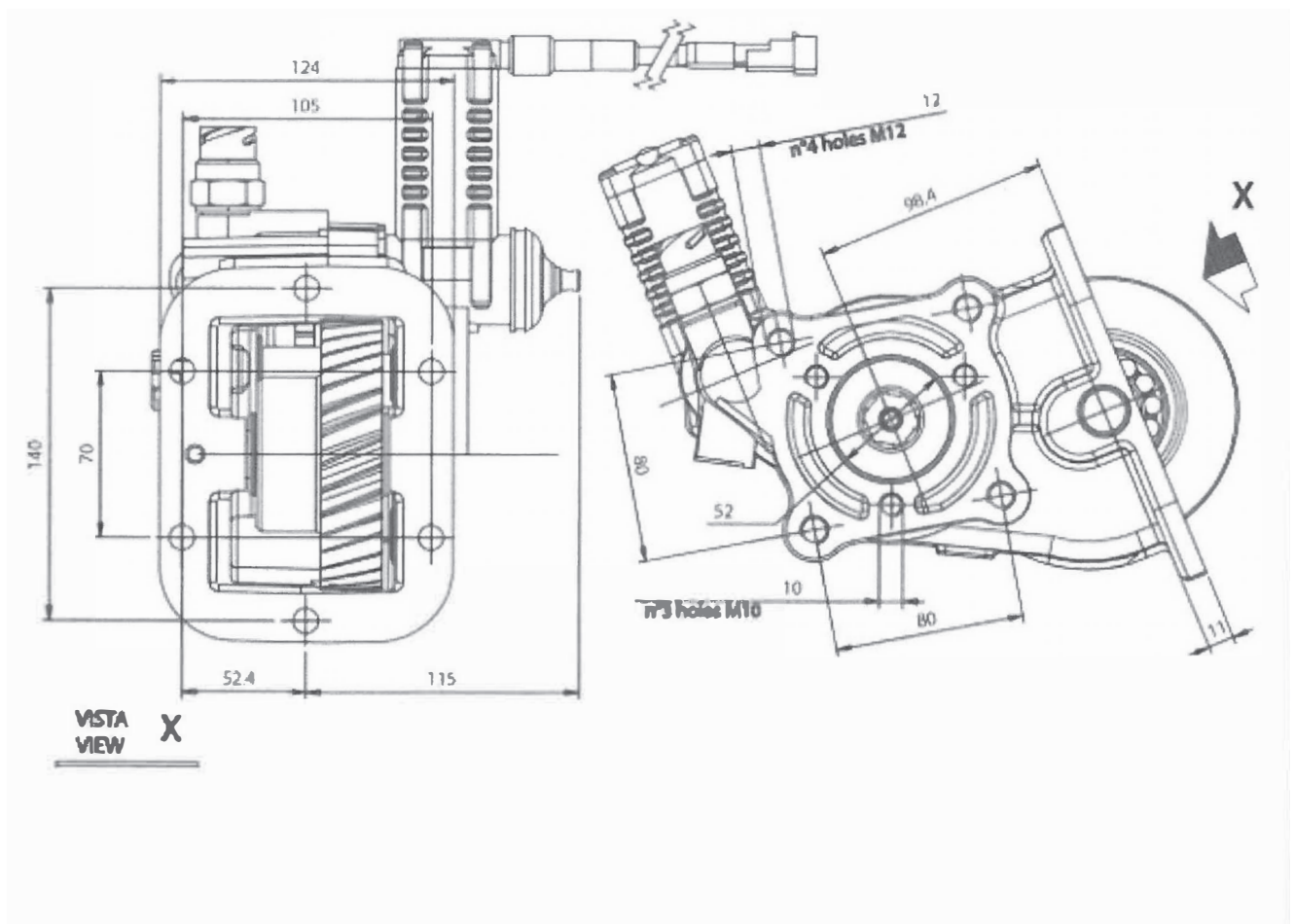


## 23Z2 - PTO LAT L.D. Z.F S6-380 VO (270125)

		<b>Conversion kit</b>	
Pneumatic/Mechanic		#DIN 5462 (SE) da UNI	606X01K0000
Mechanic/Pneumatic			
Electric control			
		<b>Flange kit</b>	
82z1	Description		
197KFL01000	SPICER 1120 21UNI222		
197KFL03000	SPICER 1300 21UNI222		
197KFL11000	DIN10 21UNI222		
197KFL12000	DIN00 21UNI222		
		<b>Switch kit</b>	
82z1	Description		
194KSP17000	DIN 2.5 M16x1.5 N.O.		
194KSP28000	#TDS M16x1.5 N.O.		
		<b>Bracket kit</b>	
82z1	Description		
190ST0020T0	Remote control TXZ I20		

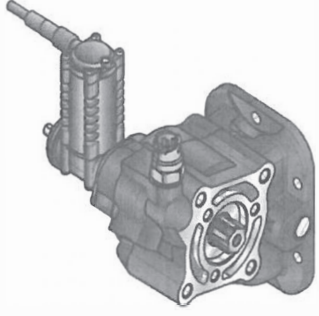
<b>MATCHINGS</b>					
Brand	Range	Model	1st Gear ratio	Outlet	Application
IVECO		2840.6	5,40	Left	Z2
Z.F.	ECOLITE	6 AS 380 VO	5,40	Left	Z2
Z.F.	ECOLITE	6 AS 400 VO	5,40	Left	Z2
Z.F.	ECOLITE	6 S 380 VO (SX)	5,40	Left	Z2
Z.F.	ECOLITE	6 S 400 VO	5,40	Left	Z2
Z.F.	ECOLITE	6 S 420 V/0.791	5,78	Left	Z2
Z.F.	ECOLITE	6 S 425 V/0.791	5,78	Left	Z2

## 23Z2 - PTO LAT L.D. Z.F S6-380 VO (270125)



## 23Z3 - PTO LAT L.D. Z.F S6-3420

**POSSIBLE SOLUTIONS**



P	23Z3	XX	Y	ZZZ
---	------	----	---	-----

Outlet version

Available option

Control option

Model

PTO

**TEC. SPECIFICATIONS**

	<b>Outlet 1</b>		<b>Replaces</b>
<b>Torque (NM)</b>	180		<b>Replaced by</b>
<b>Int. Ratio</b>	1,50		
<b>Teeth number</b>	33		

**CONTROL TYPE HYDROCAR**

<input checked="" type="checkbox"/> Electric	Hydraulic	<input checked="" type="checkbox"/> Mechanic	Fixed engagement	<input checked="" type="checkbox"/> Pneumatic	<input checked="" type="checkbox"/> Vacuum system
--	-----------	--	------------------	---	---

**CONTROL VERSIONS (XX)**

Type	82z1	Description
E	2	#Comando El. KES 13 IVECO
E	5	#Com. El.KES5E 12V PLAST.
E	6	#Com. El.KES5E 24V PLAST.
E	7	#Com. El.KES5E 12V ZAMA
E	8	#Com. El.KES5E 24V ZAMA
E	9	ECO150 12V.
M	3	#Comando Meccanico per TXZ
P	1	#Comando Pneum. 1/8"GAS
H	1	Vacuum control

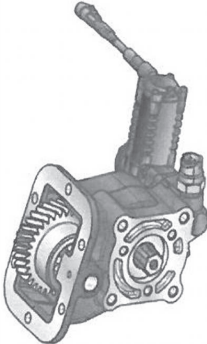
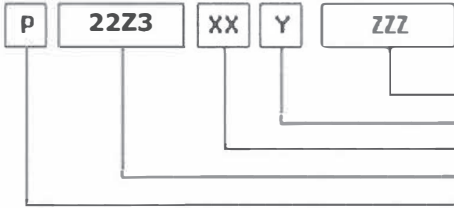
**AVAILABLE OPTIONS (Y)**

82z1	Description	Lubr. Kit	Switch Kit	Reinforced
1	#Tappo ispezione			
3	#Con Int. MERIT+cop.protez		194KSP17000	
4	#Con Interruttore TDS		194KSP28000	
5	#Con Int. MERIT senza cop.		194KSP17000	

**OUTLET VERSIONS (ZZZ)**

82z1	Description
201	3-HOLE PUMP REAR UNI
204	Pump drive SE 4-Bolts
501	FL SPICER 1120 REAR SIDE
503	FL SPICER 1300 REAR SIDE
511	FL DIN10 REAR SIDE
512	FL DIN00 REAR SIDE

## 20Z3 - PTO LAT L.D. Z.F S6-380 DX (270388)

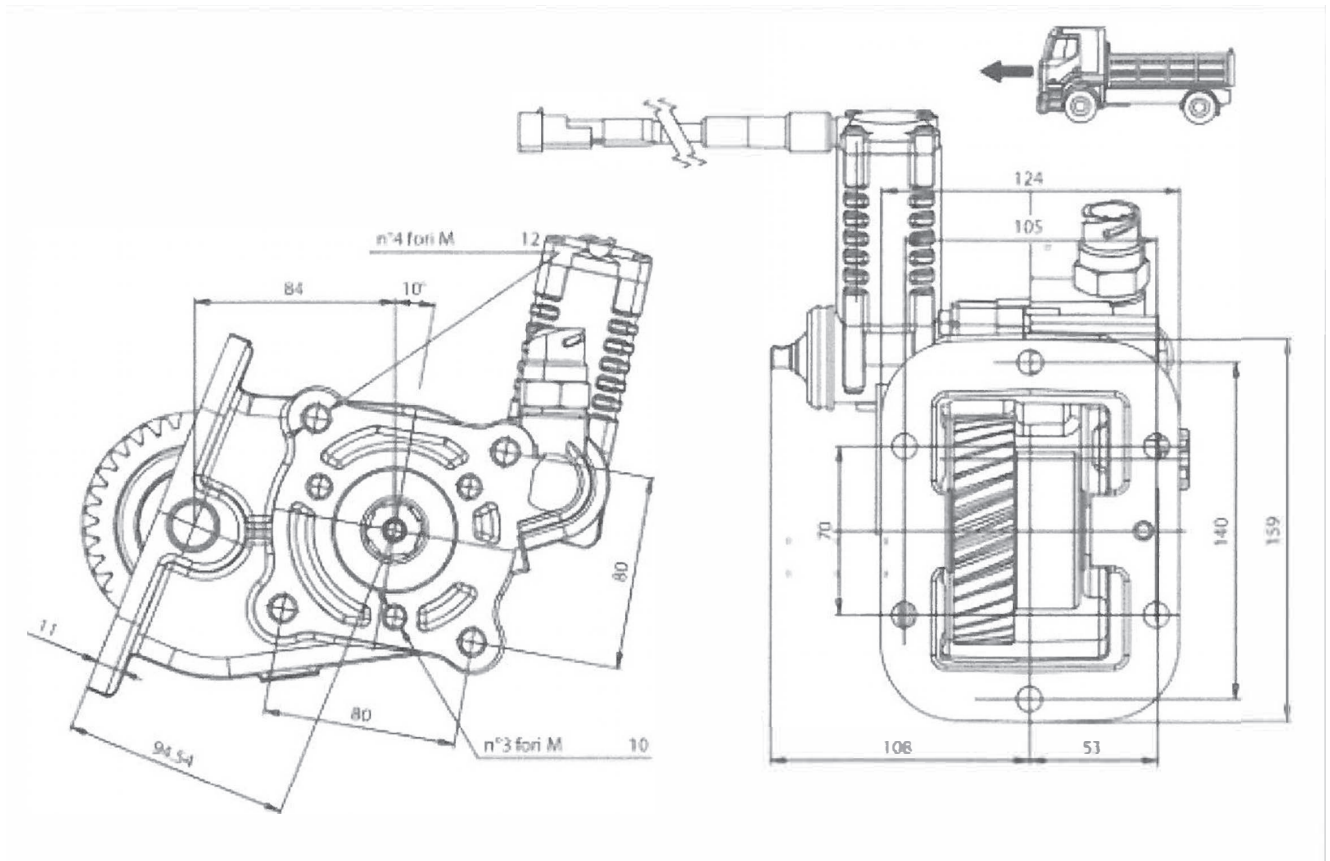
POSSIBLE SOLUTIONS			
			
			<ul style="list-style-type: none"> <li>Outlet version</li> <li>Available option</li> <li>Control option</li> <li>Model</li> <li>PTO</li> </ul>
TEC. SPECIFICATIONS			
	<b>Outlet 1</b>		
<b>Torque (NM)</b>	180	<b>Replaces</b>	
<b>Int. Ratio</b>	1,60	<b>Replaced by</b>	
<b>Teeth number</b>	32		
CONTROL TYPE HYDROCAR			
<input checked="" type="checkbox"/> Electric	Hydraulic	<input checked="" type="checkbox"/> Mechanic	Fixed engagement
			<input checked="" type="checkbox"/> Pneumatic
			<input checked="" type="checkbox"/> Vacuum system
CONTROL VERSIONS (XX)			
Type	82z1	Description	
E	1	#Comando El. KES40	
E	5	#Com. El.KES5E 12V PLAST.	
E	6	#Com. El.KES5E 24V PLAST.	
<b>E</b>	<b>7</b>	<b>#Com. El.KES5E 12V ZAMA</b>	
E	8	#Com. El.KES5E 24V ZAMA	
E	9	ECO150 12V.	
M	2	#Comando Meccanico per I20	
M	3	#Comando Meccanico per TXZ	
P	1	#Comando Pneum. 1/8"GAS	
AVAILABLE OPTIONS (Y)			
82z1	Description	Lubr. Kit	Switch Kit
			Reinforced
1	#Tappo ispezione		
3	<b>#Con Inter. MERIT+cop.prot</b>		194KSP17000
4	#Con Interruttore TDS		194KSP28000
OUTLET VERSIONS (ZZZ)			
82z1	Description		
<b>201</b>	<b>3-HOLE PUMP REAR UNI</b>		
204	Pump drive SE 4-Bolts		
501	FL SPICER 1120 REAR SIDE		
503	FL SPICER 1300 REAR SIDE		
511	FL DIN10 REAR SIDE		
512	FL DIN00 REAR SIDE		

## 20Z3 - PTO LAT L.D. Z.F S6-380 DX (270388)

		<b>Conversion kit</b>	
Pneumatic/Mechanic		#DIN 5462 (SE) da UNI	606X01K0000
Mechanic/Pneumatic			
Electric control			
		<b>Flange kit</b>	
82z1	Description		
197KFL01000	SPICER 1120 21UNI222		
197KFL03000	SPICER 1300 21UNI222		
197KFL11000	DIN10 21UNI222		
197KFL12000	DIN00 21UNI222		
		<b>Switch kit</b>	
82z1	Description		
194KSP17000	DIN 2.5 M16x1.5 N.O.		
194KSP28000	#TDS M16x1.5 N.O.		
		<b>Bracket kit</b>	
82z1	Description		
190ST0022T0	#Cavo I20 su serie 22		

<b>MATCHINGS</b>					
Brand	Range	Model	1st Gear ratio	Outlet	Application
Z.F.	ECOLITE	6 S 380 VO (DX)	5,40	Right	Z2

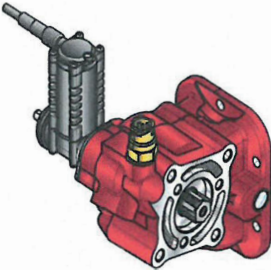
## 20Z3 - PTO LAT L.D. Z.F S6-380 DX (270388)





## 23Z3 - PTO LAT L.D. Z.F S6-420 (270400)

### POSSIBLE SOLUTIONS



P

23Z3

XX

Y

ZZZ

Outlet version

Available option

Control option

Model

PTO

---

### TEC. SPECIFICATIONS

<b>Torque (NM)</b>	<b>Outlet 1</b> 180	<b>Replaces</b>
<b>Int. Ratio</b>	1,50	<b>Replaced by</b>
<b>Teeth number</b>	33	

---

### CONTROL TYPE HYDROCAR

<input checked="" type="checkbox"/> Electric	<input type="checkbox"/> Hydraulic	<input checked="" type="checkbox"/> Mechanic	<input type="checkbox"/> Fixed engagement	<input checked="" type="checkbox"/> Pneumatic	<input checked="" type="checkbox"/> Vacuum system
--	------------------------------------	--	---	---	---

---

### CONTROL VERSIONS (XX)

Type	82z1	Description
E	2	#Comando El. KES 13 IVECO
E	5	#Com. El.KES5E 12V PLAST.
E	6	#Com. El.KES5E 24V PLAST.
E	7	#Com. El.KES5E 12V ZAMA
E	8	#Com. El.KES5E 24V ZAMA
E	9	ECO150 12V.
M	3	#Comando Meccanico per TXZ
P	1	#Comando Pneum. 1/8"GAS
H	1	Vacuum control

---

### AVAILABLE OPTIONS (Y)

82z1	Description	Lubr. Kit	Switch Kit	Reinforced
1	#Tappo ispezione			
3	# Con Int. MERIT+cop.protez		194KSP17000	
4	#Con Interruttore TDS		194KSP28000	
5	#Con Int. MERIT senza cop.		194KSP17000	

---

### OUTLET VERSIONS (ZZZ)

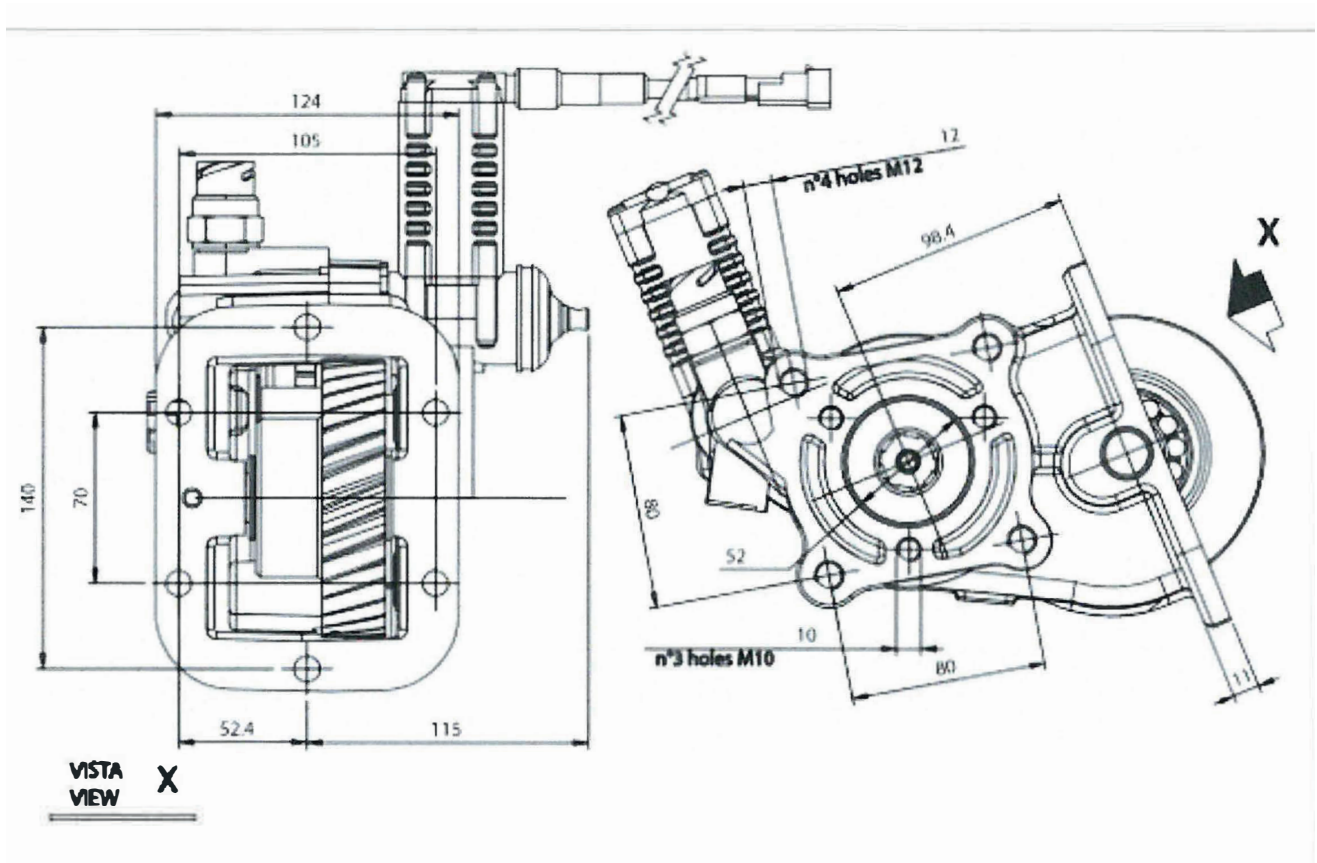
82z1	Description
201	3-HOLE PUMP REAR UNI
204	Pump drive SE 4-Bolts
501	FL SPICER 1120 REAR SIDE
503	FL SPICER 1300 REAR SIDE
511	FL DIN10 REAR SIDE
512	FL DIN00 REAR SIDE

## 23Z3 - PTO LAT L.D. Z.F S6-420 (270400)

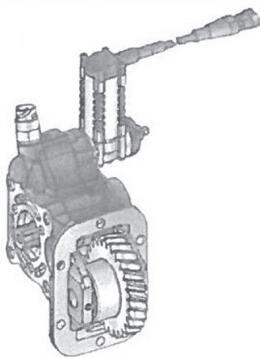
<b>Conversion kit</b>	
Pneumatic/Mechanic Mechanic/Pneumatic Electric control	#DIN 5462 (SE) da UNI 606X01K0000
<b>Flange kit</b>	
82z1	Description
197KFL01000	SPICER 1120 21UNI222
197KFL03000	SPICER 1300 21UNI222
197KFL11000	DIN10 21UNI222
197KFL12000	DIN00 21UNI222
<b>Switch kit</b>	
82z1	Description
194KSP17000	DIN 2.5 M16x1.5 N.O.
194KSP28000	#TDS M16x1.5 N.O.
<b>Bracket kit</b>	
82z1	Description
190ST0020T0	Remote control TXZ I20
<b>ELECTRIC KITS</b>	
82z1	Description
194KE063000	ELECTRIC KIT 12V FOR VACUUM PTO CONTROL
194KE064000	ELECTRIC KIT 24V FOR VACUUM PTO CONTROL

<b>MATCHINGS</b>					
Brand	Range	Model	1st Gear ratio	Outlet	Application
Z.F.	ECOLITE	6 S 420 V/0,799	5,15	Left	Z2

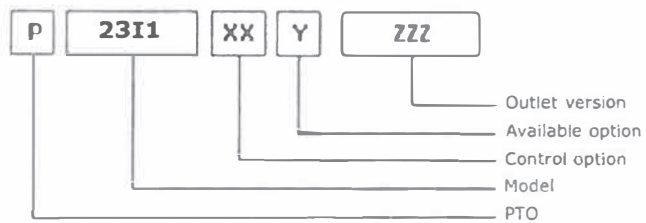
## 23Z3 - PTO LAT L.D. Z.F S6-420 (270400)



## 2311 - PRESA DI FORZA PER IVECO 2835.6 (270873)



### POSSIBLE SOLUTIONS



### TEC. SPECIFICATIONS

	<b>Outlet 1</b>	
<b>Torque (NM)</b>	180	<b>Replaces</b>
<b>Int. Ratio</b>	1,68	<b>Replaced by</b>
<b>Teeth number</b>	32	

### CONTROL TYPE HYDROCAR

Electric      Hydraulic       Mechanic      Fixed engagement       Pneumatic       Vacuum system

### CONTROL VERSIONS (XX)

Type	82z1	Description
E	7	#Com. El.KES5E 12V ZAMA
<b>E</b>	<b>9</b>	<b>ECO150 12V.</b>
M	3	#Comando Meccanico per TXZ
P	1	#Comando Pneum. 1/8"GAS
H	1	#Comando a depressione

### AVAILABLE OPTIONS (Y)

82z1	Description	Lubr. Kit	Switch Kit	Reinforced
1	#Tappo ispezione			
<b>3</b>	<b>#Con Int. MERIT+cop.protez</b>		194KSP17000	
4	#Con Interruttore TDS		194KSP28000	
5	#Con Int. MERIT senza cop.		194KSP17000	

### OUTLET VERSIONS (ZZZ)

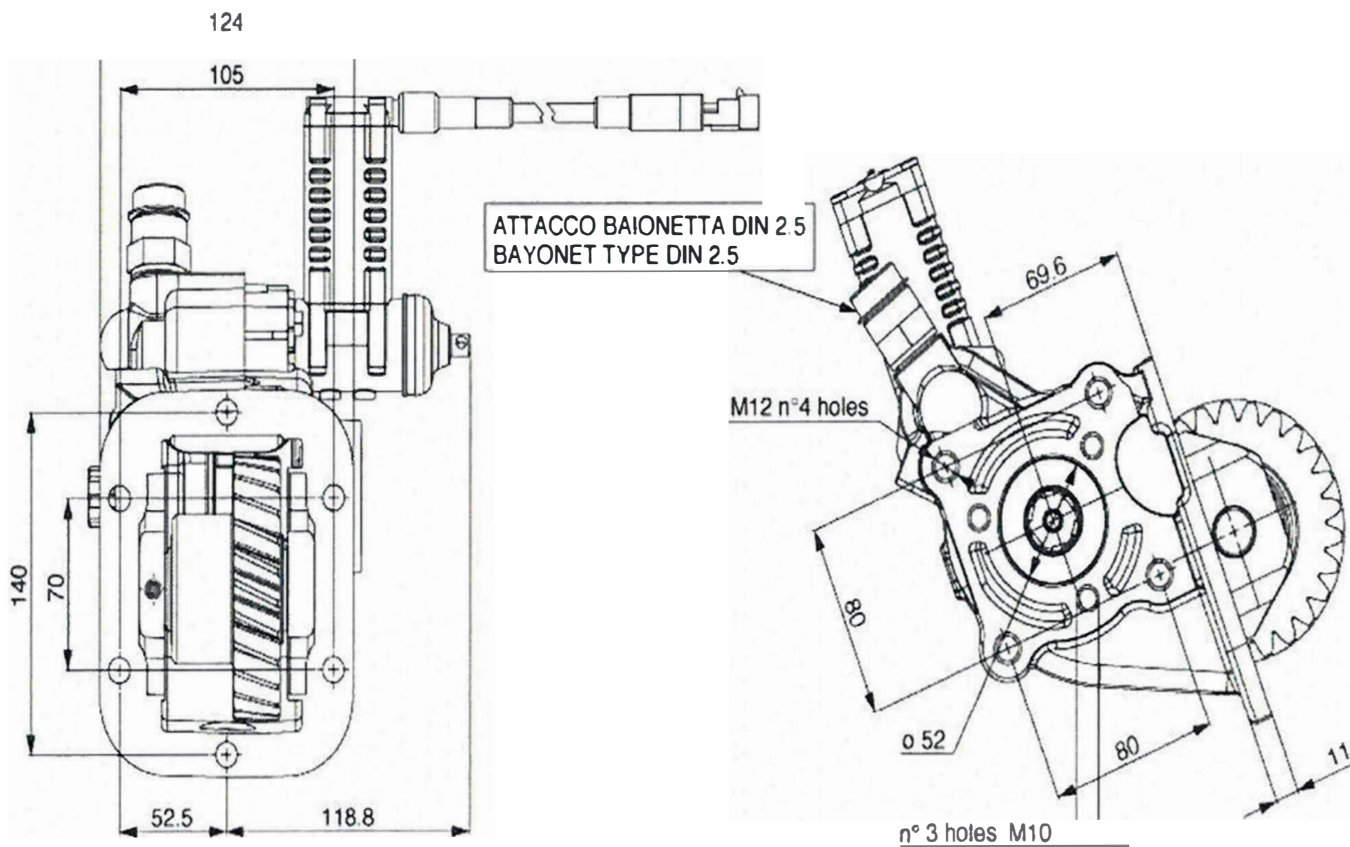
82z1	Description
<b>201</b>	<b>3-HOLE PUMP REAR UNI</b>
204	Pump drive SE 4-Bolts
501	FL SPICER 1120 REAR SIDE
503	FL SPICER 1300 REAR SIDE
511	FL DIN10 REAR SIDE
512	FL DIN00 REAR SIDE

## 2311 - PRESA DI FORZA PER IVECO 2835.6 (270873)

Conversion kit	
Pneumatic/Mechanic Mechanic/Pneumatic Electric control	#DIN 5462 (SE) da UNI 606X01K0000
Flange kit	
82z1	Description
197KFL01000	SPICER 1120 21UNI222
197KFL03000	SPICER 1300 21UNI222
197KFL11000	DIN10 21UNI222
197KFL12000	DIN00 21UNI222
Switch kit	
82z1	Description
194KSP17000	DIN 2.5 M16x1.5 N.O.
194KSP28000	#TDS M16x1.5 N.O.
Bracket kit	
82z1	Description
190ST0020T0	Remote control TXZ 120

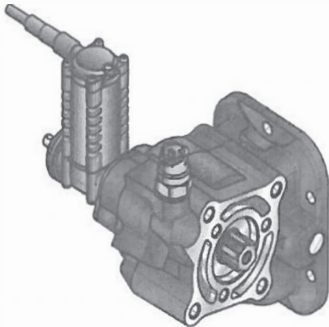
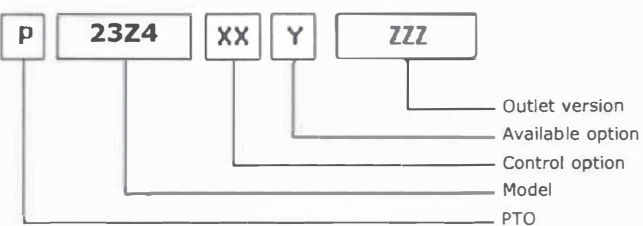
MATCHINGS					
Brand	Range	Model	1st Gear ratio	Outlet	Application
IVECO		2835.6	5,00	Left	11

## 2311 - PRESA DI FORZA PER IVECO 2835.6 (270873)





## 23Z4 - PTO LAT. L.S. IVECO 2840.6 (270874)

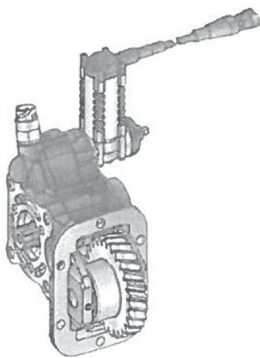
POSSIBLE SOLUTIONS				
				
TEC. SPECIFICATIONS				
<b>Torque (NM)</b>	<b>Outlet 1</b>	180	<b>Replaces</b>	
<b>Int. Ratio</b>		1,30	<b>Replaced by</b>	
<b>Teeth number</b>		35		
CONTROL TYPE HYDROCAR				
<input checked="" type="checkbox"/> Electric	Hydraulic	<input checked="" type="checkbox"/> Mechanic	Fixed engagement	<input checked="" type="checkbox"/> Pneumatic
				Vacuum system
CONTROL VERSIONS (XX)				
Type	82z1	Description		
E	7	#Com. El.KESSE 12V ZAMA		
<b>E</b>	<b>9</b>	<b>ECO150 12V.</b>		
M	3	#Comando Meccanico per TXZ		
P	1	#Comando Pneum. 1/8"GAS		
AVAILABLE OPTIONS (Y)				
82z1	Description	Lubr. Kit	Switch Kit	Reinforced
1	Inspection plug			
<b>3</b>	<b>With Merit engagement switch + cover</b>		194KSP17000	
4	With TDS engagement switch		194KSP28000	
5	Merit engagement switch whit out cover		194KSP17000	
OUTLET VERSIONS (ZZZ)				
82z1	Description			
<b>201</b>	<b>3-HOLE PUMP REAR UNI</b>			
204	Pump drive SE 4-Bolts			
501	FL SPICER 1120 REAR SIDE			
503	FL SPICER 1300 REAR SIDE			
511	FL DIN10 REAR SIDE			
512	FL DIN00 REAR SIDE			

## 23Z4 - PTO LAT. L.S. IVECO 2840.6 (270874)

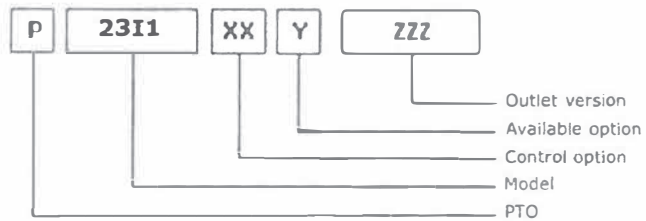
<b>Conversion kit</b>	
Pneumatic/Mechanic Mechanic/Pneumatic Electric control	#DIN 5462 (SE) da UNI 606X01K0000
<b>Flange kit</b>	
82z1	Description
197KFL01000	SPICER 1120 21UNI222
197KFL03000	SPICER 1300 21UNI222
197KFL11000	DIN10 21UNI222
197KFL12000	DIN00 21UNI222
<b>Switch kit</b>	
82z1	Description
194KSP17000	DIN 2.5 M16x1.5 N.O.
194KSP28000	#TDS M16x1.5 N.O.
<b>Bracket kit</b>	
82z1	Description
190ST0020T0	Remote control TXZ I20

<b>MATCHINGS</b>					
Brand	Range	Model	1st Gear ratio	Outlet	Application
IVECO		2840.6 FL2011	5,40	Left	Z2

## 23Z4 - PTO LAT. L.S. IVECO 2840.6 (270874)



### POSSIBLE SOLUTIONS



### TEC. SPECIFICATIONS

	<b>Outlet 1</b>	
<b>Torque (NM)</b>	180	<b>Replaces</b>
<b>Int. Ratio</b>	1,68	<b>Replaced by</b>
<b>Teeth number</b>	32	

### CONTROL TYPE HYDROCAR

Electric     
  Hydraulic     
  Mechanic     
 Fixed engagement     
  Pneumatic     
  Vacuum system

### CONTROL VERSIONS (XX)

Type	82z1	Description
E	7	#Com. El.KES5E 12V ZAMA
<b>E</b>	<b>9</b>	<b>ECO150 12V.</b>
M	3	#Comando Meccanico per TXZ
P	1	#Comando Pneum. 1/8"GAS
H	1	#Comando a depressione

### AVAILABLE OPTIONS (Y)

82z1	Description	Lubr. Kit	Switch Kit	Reinforced
1	#Tappo ispezione			
<b>3</b>	<b>#Con Int. MERIT+cop.protez</b>		194KSP17000	
4	#Con Interruttore TDS		194KSP28000	
5	#Con Int. MERIT senza cop.		194KSP17000	

### OUTLET VERSIONS (ZZZ)

82z1	Description
<b>201</b>	<b>3-HOLE PUMP REAR UNI</b>
204	Pump drive SE 4-Bolts
501	FL SPICER 1120 REAR SIDE
503	FL SPICER 1300 REAR SIDE
511	FL DIN10 REAR SIDE
512	FL DIN00 REAR SIDE

