

Stromteiler, Stromvereiniger

HZM-ARTIKEL 230503

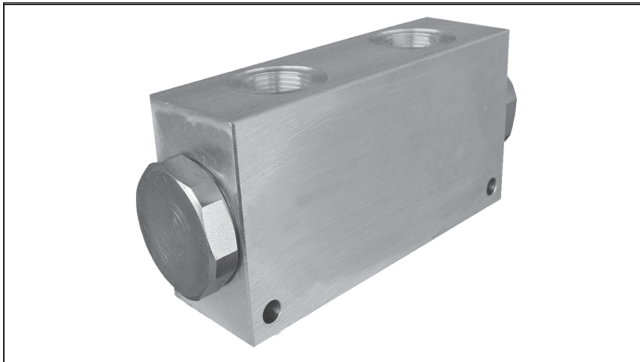
DRF

0M.51.03.90.05 - Z

RE 18309-58

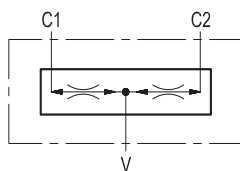
Edition: 03.2016

Replaces: 07.2012



Description

This valve gives division of input flow from V to C1-C2, and re-combines flows in reverse direction from C1-C2 to V. The ratio between the flows through C1 and through C2 is maintained constant (typically 50% / 50%) over a wide range of pressure variations and of pressure imbalance in order to synchronize the motion of 2 actuators in both forward and reverse directions. In flow division mode, should either C1 or C2 be blocked, approximately 1÷2% of the available flow can be forced through the port still open.

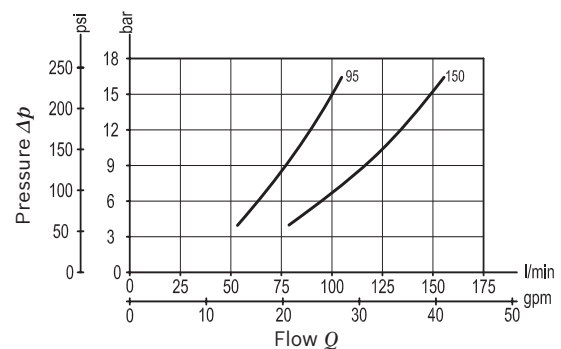


Technical data

Operating pressure	up to 210 bar (3000 psi)
Flow division ratio: 50% - 50%	
For any chosen inlet flow capacity (refer to table Z), the slippage, or the difference from theoretical value between the divided flows, depends from the inlet flow, and is lowest in the top portion of the selected range: generally it never exceeds $\pm 3\%$.	
Weight	2.2 kg (4.9 lbs)
Manifold material	Aluminium
Note: aluminium bodies are often strong enough for operating pressures exceeding 210 bar (3000 psi), depending from the fatigue life expected in the specific application. If in doubt, consult our Service Network.	
Fluid	Mineral oil (HL, HLP) according DIN 51524
Fluid temperature range	-30 °C to 100 (-22 to 212 °F)
Viscosity range	5 to 800 mm ² /s (cSt)
Recommended degree of fluid contamination	Class 19/17/14 according to ISO 4406
Other technical data	see data sheet 18350-50

Note: for applications outside these parameters, please consult us.

Characteristic curve



Ordering code

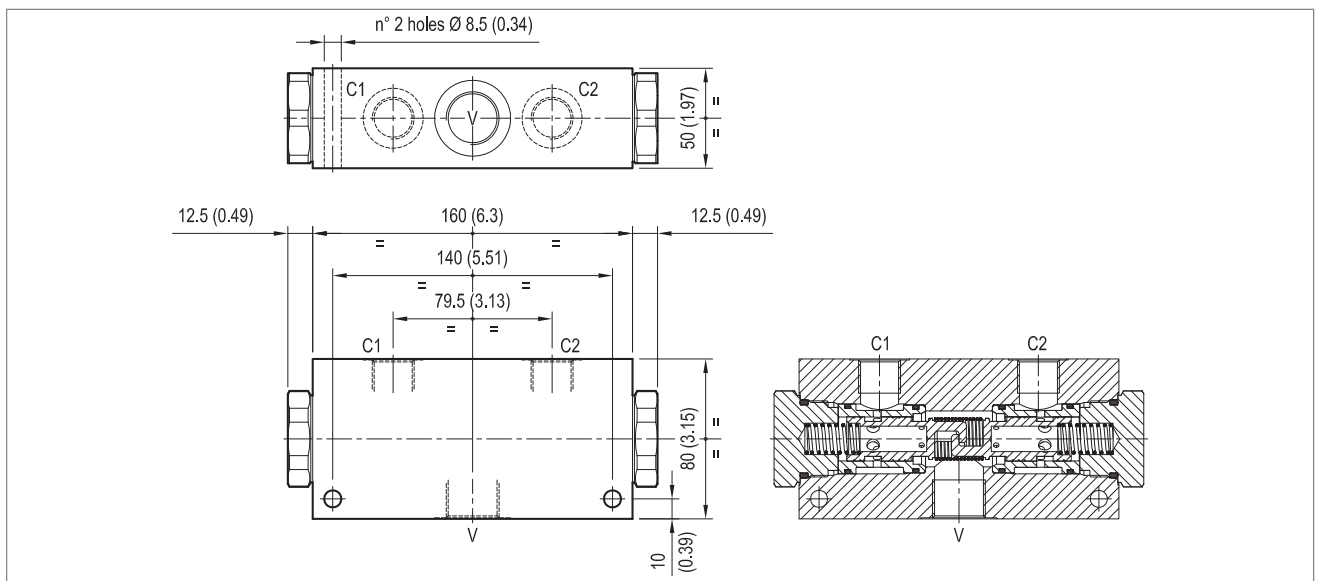
		OM.51.03.90		05	Z
Flow divider, combiner					
INLET CAPACITY					
95 56 to 95 l/min (14.8 to 25.1 gpm)					
150 90 to 150 l/min (27.78 to 39.63 gpm)					
Port sizes	V	C1 - C2			
	G 1	G 3/4			

Preferred types

Type	Material number
OM510390059500A	R930001891
OM510390051500A	R930005817

Type	Material number

Dimensions



Bosch Rexroth Oil Control S.p.A.

Via Leonardo da Vinci 5
P.O. Box no. 5
41015 Nonantola - Modena, Italy
Tel. +39 059 887 611
Fax +39 059 547 848
compact-hydraulics-pib@boschrexroth.com
www.boschrexroth.com/compacthydraulics

© This document, as well as the data, specifications and other information set forth in it, are the exclusive property of Bosch Rexroth Oil Control S.p.a.. It may not be reproduced or given to third parties without its consent. The data specified above only serve to describe the product. No statements concerning a certain condition or suitability for a certain application can be derived from our information. The information given does not release the user from the obligation of own judgment and verification. It must be remembered that our products are subject to a natural process of wear and aging. Subject to change.

Stromteiler, Stromvereiniger

HZM-ARTIKEL 230504



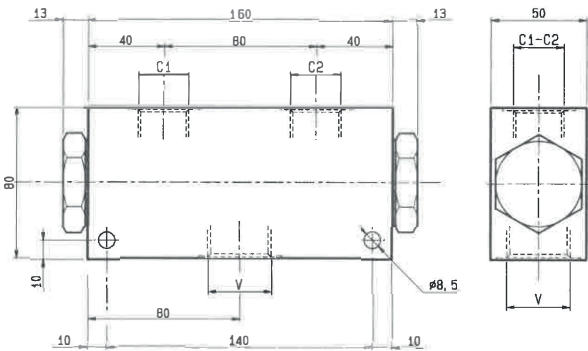
FLOW DIVIDERS / COMBINERS

DRF

OM.51.03.90 - Y - Z

DENOMINAZIONE VALVOLA
VALVE DENOMINATION

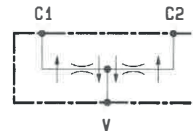
CODICE D'ORDINAZIONE
ORDERING CODE



These valves provide division of inlet flow ("V") into two equal parts ("C1" and "C2"), and re-combination of equal flows in the reverse direction ("C1" and "C2" to "V"); They are pressure compensated in order to maintain the division and/or re-combination constant, largely independent from flow in "V" port, and pressure differences at the actuators.

In order to provide limited slippage (+/- 3%) together with minimized pressure losses, the valves are calibrated for different flow ranges.

Fluid cleanliness class: 18/14 ISO 4406 (9 NAS-1638) or better.



Pressione di lavoro max
210 bar

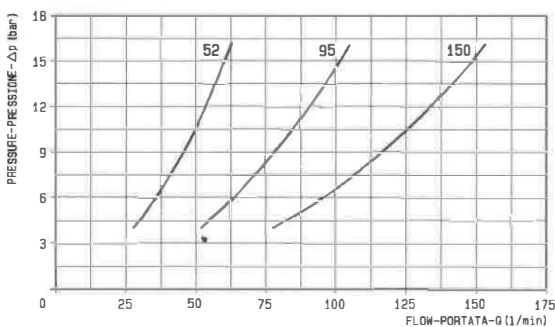
Peso Kg 2,2

Rapporto di divisione 50%-50%
a richiesta sono disponibili
rapporti diversi: 40%-60%

Max working pressure
210 bar

Weight Kg 2,2

Flow division ratios: 50%-50% standard
40%-60% on request



Y	ATTACCHI / PORT SIZE	
	V	C1 - C2
04	3/4" BSPP	1/2" BSPP
05	1" BSPP	3/4" BSPP

DTE : Steel bodied version is also available; it can be ordered by replacing with "E" the 3rd digit of the ordering code. External dimensions and port positions could be slightly different from the ones here shown. In case of doubt, please ask.

Z	Campo di portata consigliato (max errore !3%) Inlet capacity (max admitted slippage !3%)
52	da 28 a 55 l/min. 28 to 55 l/min.
95	da 56 a 95 l/min. 56 to 95 l/min.
150	da 90 a 150 l/min. 90 to 150 l/min.